

CS7061A

AC-DC Power Supply

(Document Rev A03,09/17/15)



**Single Phase 115Vac Input
Quad Output, 426W Max Total**

Market: Military Cots

Application: Aircraft electronic equipment

Features

- 115Vac Input
- Chassis Mount Power Supply
- N+1 Configuration

Table 1: Maximum Ratings

Parameter	Rating	Unit	Notes
Vin max range	104 to 126	Vac	47-63 Hz, Single Phase
Temperature	-10 to +71	°C	
Combined output power	426	W	
Input power	Call Aegis	W	
Max +5Vdc power	300	W	
Max -12Vdc power	18	W	
Max +12Vdc power	48	W	
Max +24Vdc power	72	W	

Product Highlights

This multiple output AC-DC power supply is enclosed in a conduction cooled metallic case. The CS7061 takes 115V of single phase AC power and converts it into four Vdc outputs (+5Vdc, -12Vdc, +12Vdc, +24Vdc). The power supply unit is measures 5.7" H x 9.88" W x 3.63" L and only weighs a Maximum of 6.7 pounds. This aircraft AC-DC power supply was designed for use in Aircraft video decipher electronics, military defense power supply, defense power supply applications, and other military power supply systems.

AEGIS Power Systems, Inc. specializes in the front end design, development, and manufacture of Rapid Response Custom Switching Power Supplies for Mil-COTS, defense, industrial, telecomm, aircraft, shipboard, rack mount, and electric powered vehicle applications.

SPECIFICATIONS

(Typical at 25°C, nominal line and 100% load, unless otherwise specified.)

AC input voltage:	104-126Vac, 47-63 Hz, Single Phase.
AC input line current:	Contact Aegis.
Input power:	Contact Aegis.
Power Factor:	Contact Aegis.
Output power:	426W Max. See Table 2.
Holdup Time:	Contact Aegis.
Output voltages:	See table 2.
Efficiency:	Contact Aegis.
Start up time:	Contact Aegis.
Voltage set point:	Contact Aegis.
Line regulation:	Contact Aegis.
Load regulation:	Contact Aegis.
Temperature regulation:	Contact Aegis.
Output ripple:	Contact Aegis.
Current Limit:	Short circuit protection with automatic recovery.
Temperature:	-10°C to +71°C.
Cooling:	Contact Aegis.
Package:	Contact Aegis.
Dimension:	6.8" H x 2.7" W x 11" L (see mechanical drawing).
Weight:	6.7 lb. Typical.
Connector:	Contact Aegis for connector and pin-out information.
Vibration:	Contact Aegis.
Shock:	Contact Aegis.
Altitude:	Contact Aegis.
Humidity:	Contact Aegis.
EMI:	Contact Aegis.
Other Features:	N+1 Configuration

Specifications subject to change without notice.

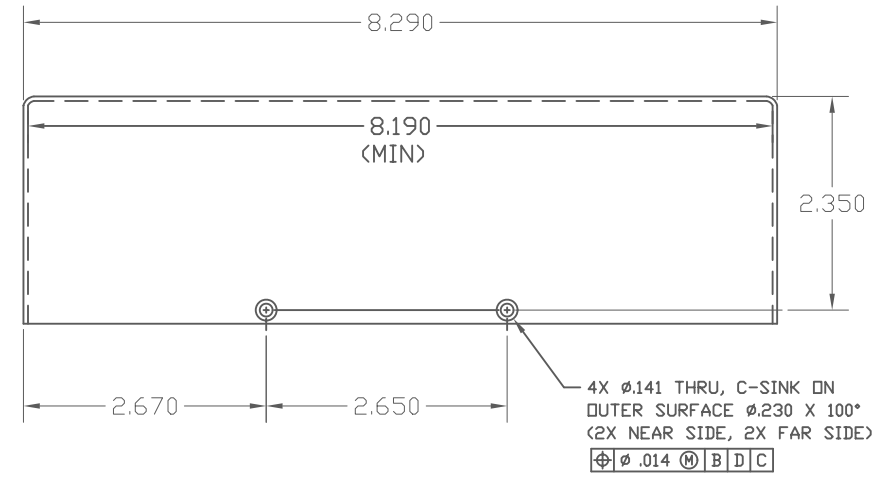
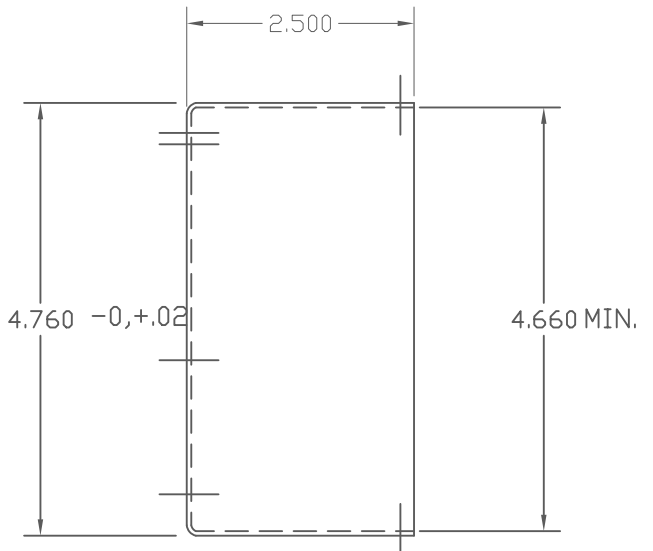
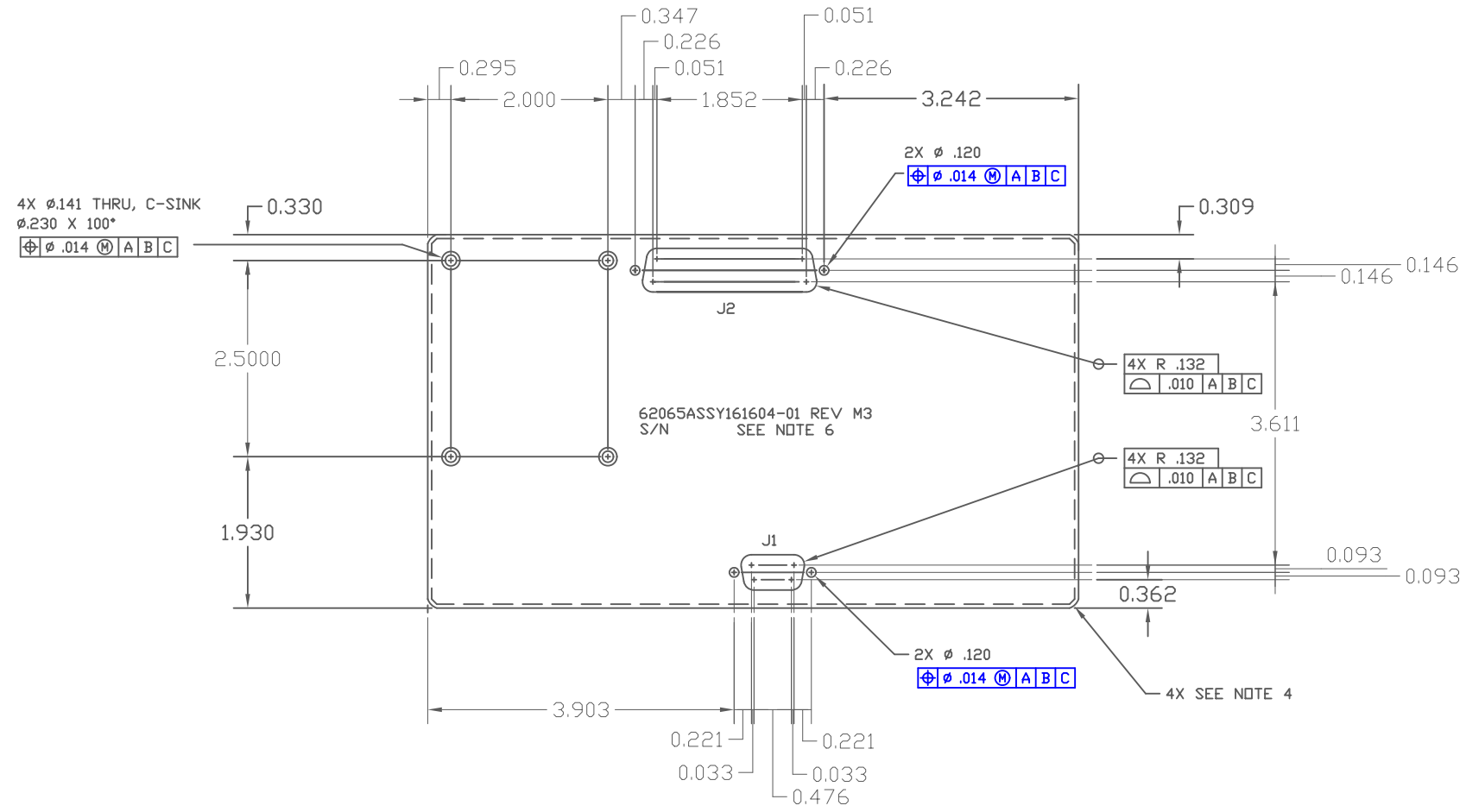
Table 2: Voltage Outputs

Part Number	Vdc out	Watts out	Amps out
CS7061A	+5V	300W	60A
	-12V	18W	1.5A
	+12V	48W	4A
	+24V	72W	3A

Connector Information: Contact Aegis Power Systems.

Connector Pin-Out Information: Contact Aegis Power Systems.

DWG NO.		SH	REV	1	
REVISIONS					
ZONE	REV	DESCRIPTION	DATE	APPROVED	
	1	INITIAL PROTOTYPE RELEASE	XXXXXX	XXX	
A		ROTATE P2	5/28/98	JKM	
B		CORRECTED DIM	3/23/99	JKM	
C		CORRECTED REV	8/19/99	JKM	
D		CORRECTED DIM 8.26 TO 8.29	10/04/00	JKM	



- NOTES: UNLESS OTHERWISE SPECIFIED
1. INTERPRET DIMENSIONS AND TOLERANCES PER ANSI Y14.5M-1982.
 2. MATERIAL: 5052-H34 ALUMINUM ALLOY SHEET, .050 THICK.
 3. FINISH: TINTED CHEMICAL FILM PER MIL-C-5541, CLASS 3.
 4. WELD CORNERS CLOSED AND GRIND SMOOTH. INTERIOR WELD PENETRATION .03 MAX.
 5. INSIDE DIMENSIONS SHOULD NOT BE LESS THAN 4.66 X 8.19. THIS IS THE MINIMUM CLEARANCE ACCEPTABLE TO FIT OUR PART.
 6. REMOVE ALL BURRS AND BREAK ALL SHARP EDGES.
 7. ALL LETTERING SHALL BE BLACK INK 0.125" HIGH.

UNLESS OTHERWISE SPECIFIED, DIMENSIONS ARE IN INCHES. FRACTIONS DECIMALS DEGREES ± N/A .XX ± .01 ± .5 .XXX ± .005		CONTRACT NO.	AEGIS POWER SYSTEMS MURPHY, NORTH CAROLINA	
MATERIAL	SEE NOTE 2	APPROVALS	DATE	TITLE
FINISH	SEE NOTE 3	DRAWN	L. CHDATE	971124
NEXT ASSY	USED ON	CHECKED		
APPLICATION	DO NOT SCALE DRAWING	PROJ. ENG.		
		MFG.		
		QUALITY		
		SIZE	D	FSCM NO. 06ES8
		DWG NO.	CS7061-M04	
		SCALE	1/1	SHEET 1 OF 1