

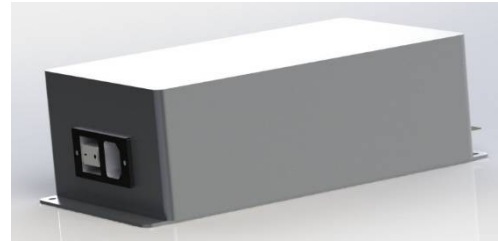
NCA903

Overview

AC-DC Power Supply, 115Vac 60Hz Input, 3-Output, 75Watt Max

Market(s)

Industrial



Typical Application(s)

Imbedded Computing

Product Highlights

This power supply operates from 85-264Vac, 60Hz input. The multiple output capability is the power supply solution for imbedded computing applications.

Table 1: Maximum Continuous Operating Ratings

Parameter	Rating	Unit	Notes
Vin max range	85-264	Vac	(115Vac Nominal)
Temperature	-20 to +50	°C	
Input Power	90.64	W	82% typical efficiency @ 25°C
Output Voltage			Refer to Table 2 (Output)
Output Current			Refer to Table 2 (Output)
Output Power	75	W	Refer to Table 2 (Output)

Features

- 115Vac input.
- Power Switch (Each output has a delay when Power Switch is on)
- Output Power Sequencing*
- Output LEDs to indicate Power On**

* (V1) 5Vdc comes on first, then 1 second later (V2) 10Vdc and then another second later (V3) 10Vdc.

** Each output has a corresponding LED to indicate when the output is on.

About Us

Aegis Power Systems, Inc. specializes in the design, development, and manufacture of AC-DC and DC-DC power supplies for high-performance, rugged, critical, and specialty applications. Markets served include defense, industrial, communications, aircraft, shipboard, rack mount, embedded computing, and electric vehicle applications. Contact us to find out if this item can be configured or redesigned to meet your specific technology need.

SPECIFICATIONS

(Typical at 25°C, nominal line and 100% load, unless otherwise specified.)

Input Voltage	115Vac, Nominal. Input range 85-264Vac, 60Hz
Input Current	0.79A
Input Power	90.64W
Output Power	75W Maximum
Output Current	See table 2 for details.
Output Voltages	See table 2 for details.
Efficiency	82% Nominal, 80% Minimum.
Output Ripple	See table 2 for details.
Start-Up Time	3 to 5 seconds (2 to 3 second delay for V1, then 1 second for V2, then 1 second for V3)
Voltage Set Point	+/- 2% (@25C ambient)
Line/Load Regulation	+/- 2%
Temperature	-20°C to +50°C Operating
Package	Enclosed case chassis mounted.
Dimensions	10.25" L x 6.30" W x 3.56" H (Flange dimension = 11.5" L x 6.0" W)
Weight	6.5 lbs. maximum
Connectors	See table 3 for details.

Specifications subject to change without notice.

Table 2: Voltage Output (Nominal). Note: Two versions available, +28Vdc or +12Vdc.

	V1	V2	V3
Voltage	+5Vdc	+10Vdc	+10Vdc
Current	3A	3A	3A
Power	15W	30W	30W
Ripple	50mVpk-pk*	100mVpk-pk*	100mVpk-pk*

* 20MHz Bandwidth Limited.

Table 3: Connector Specifications

AC Input Connector – Schurter Inc. (DG12-CBDWM030C0-000-C6135-320-1000-00)

Conductor Circuit
Line
Neutral
Ground

**DC Output Terminal Block –
Chassis Mount, Phoenix Contact P/N: 1786873
Mate, Phoenix Contact P/N:0710060**

Connection	Circuit
1	+5V (V1)
2	+5V Return (V1)
3	+10V (V2)
4	+10V Return (V2)
5	+10V (V3)
6	+10V Return (V3)

NOTES: UNLESS OTHERWISE SPECIFIED

1. INTERPRET DIMENSIONS AND TOLERANCES PER ANSI Y14.5M-1994.

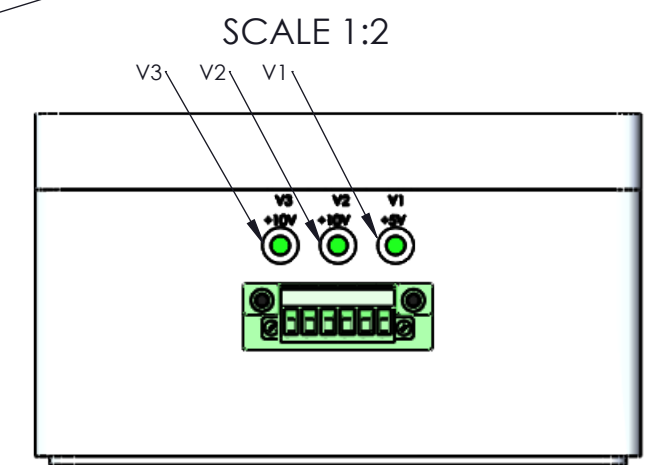
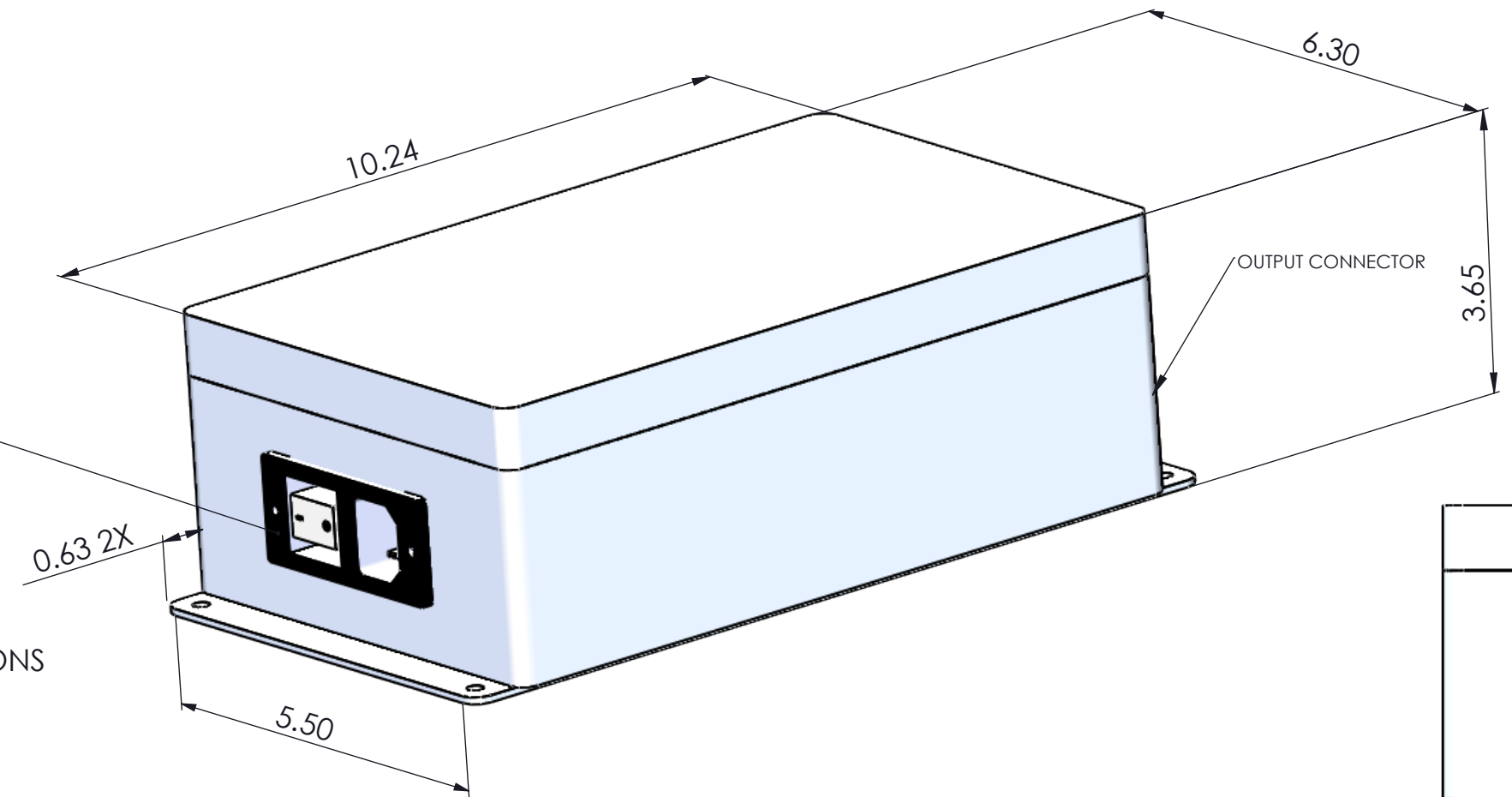
DWG NO.		REV		DATE		APPROVED	
ZONE	REV	DATE	APPROVED	REVISIONS			
	A01	7/24/19	TBL	INITIAL RELEASE			
	A02	10/24/19	TBL	UPDATED DIMENSIONS			
	A03	1/7/20	TBL	UPDATED CONNECTOR LOCATION			

CAD MAINTAIN CHANGES SHALL BE INCORPORATED BY THE DESIGN ACTIVITY.

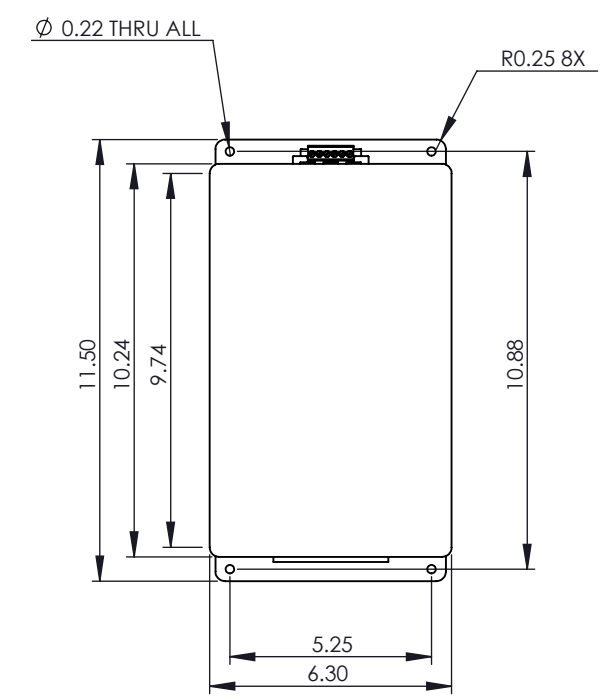
DESIGN NOTES:

OUTPUT CONNECTOR:
PHOENIX CONTACT P/N: 1786873
PHOENIX CONTACT P/N:0710060

0710060 MOUNTED TO CASE



SCALE 1:5 FOR DETAILED DIMENSIONS



AEGIS POWER SYTEMS, INC. PROPRIETARY INFORMATION. NODISCLOSURE, REPRODUCTION, OR USE OF ANY PARTY HERE OF MAY BE MADE EXCEPT BY EXPRESS WRITTEN PERMISSION OF AEGIS POWER SYTEM, INC.

UNLESS OTHERWISE SPECIFIED:
DIMENSIONS ARE IN INCHES
TOLERANCES:
FRACTIONAL ± N/A
DEGREES: ± .5
TWO PLACE DECIMAL ± .02
THREE PLACE DECIMAL ± .005

MATERIAL: SEE NOTE 2
FINISH: SEE NOTE 3
DO NOT SCALE DRAWING

APPROVALS	NAME	DATE
DRAWN	TL	7/24/19
CHECKED	MVM	7/24/19
ENG APPR.	TL	7/24/19
MFG APPR.	JM	7/24/19
Q.A.	MH	7/24/19

COMMENTS:
GENERATED:BY SOLIDWORKS

CONTRACT NO.				AEGIS POWER SYSTEMS MURPHY, NORTH CAROLINA			
TITLE: NCA90X				AEGIS P/N:NCA90X			
SIZE B	FSCM NO. 06ES8	DWG. NO. N/A	REV A03	SHEET 1 OF 1			